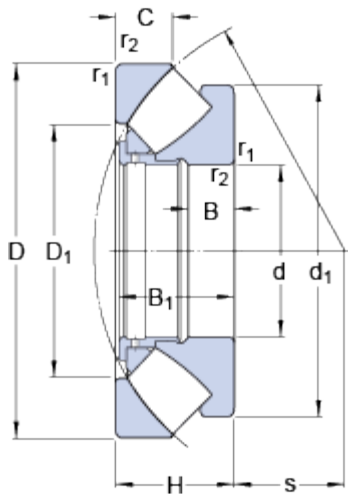




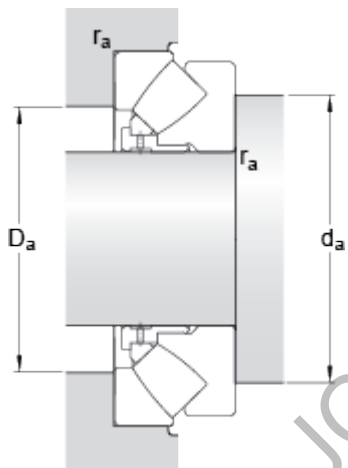
29476

Dimensions



d	380	mm
D	670	mm
H	175	mm
d ₁	≈ 610	mm
D ₁	≈ 494	mm
B	67	mm
B ₁	168	mm
C	87.5	mm
s	222	mm
r _{1,2}	min. 7.5	mm

Abutment dimensions



d _a	min. 525	mm
D _a	max. 580	mm
r _a	max. 6	mm

Calculation data

Basic dynamic load rating	C	6800	kN
Basic static load rating	C ₀	24000	kN
Fatigue load limit	P _u	1860	kN
Reference speed		530	r/min
Limiting speed		900	r/min
Minimum axial load factor	A	53	

Mass

Mass bearing		260	kg
--------------	--	-----	----